

**NOTES**

1. INSTALLATION LOCATIONS AND STAND ORIENTATION TO CONSIDER GENERAL SAFETY AND TRIP HAZARD RISK.
2. EXAMPLE INSTALLATION SURFACES HAVE BEEN SHOWN FOR EACH STAND TYPE (EG. PAVEMENT/GRASS/GARDEN). THESE MAY VARY FOR EACH INSTALLATION. RETAIN SPECIFIED FOOTING SIZES AND ADJUST TOP SURFACE CONDITION TO SUIT INTALLATION LOCATION.
3. ENSURE LOCTITE (OR EQUIVALENT THREAD LOCKER) IS ON ALL THREADS PRIOR TO ASSEMBLING NUTS.
4. DRAWING TO AS1100 DRAWING STANDARDS.
5. 316 S.S FASTENERS TO BE USED FOR COASTAL INSTALLATIONS OR ANY ENVIRONMENT WITH HIGH CORROSION

M10 DOME NUT (304 S.S.) (4 PLACES)  
 - RECOMMENDED ASSEMBLY TORQUE FOR M10 DOME NUT = 17N.M (REF AS1111 PROPERTY CLASS 4.6 OR EQUIVALENT, COMMERCIAL LOWTENSILE BOLTS.)

ENSURE 8 TO 12mm EXPOSED THREAD ABOVE WASHERS FOR USE WITH DOME NUTS. TRIM CHEM-SET BOLT TO SUIT OR ADJUST DRILLING DEPTH TO SUIT.

M10 WASHER (304 S.S.) (4 PLACES)

BOLT FIXED TO CONCRETE SLAB - MIN 90mm EMBEDMENT INTO CONCRETE. (M10 S.S CHEM-SET BOLT)

8.0 MIN  
12.0 MAX  
EXPOSED THREAD  
ABOVE WASHER

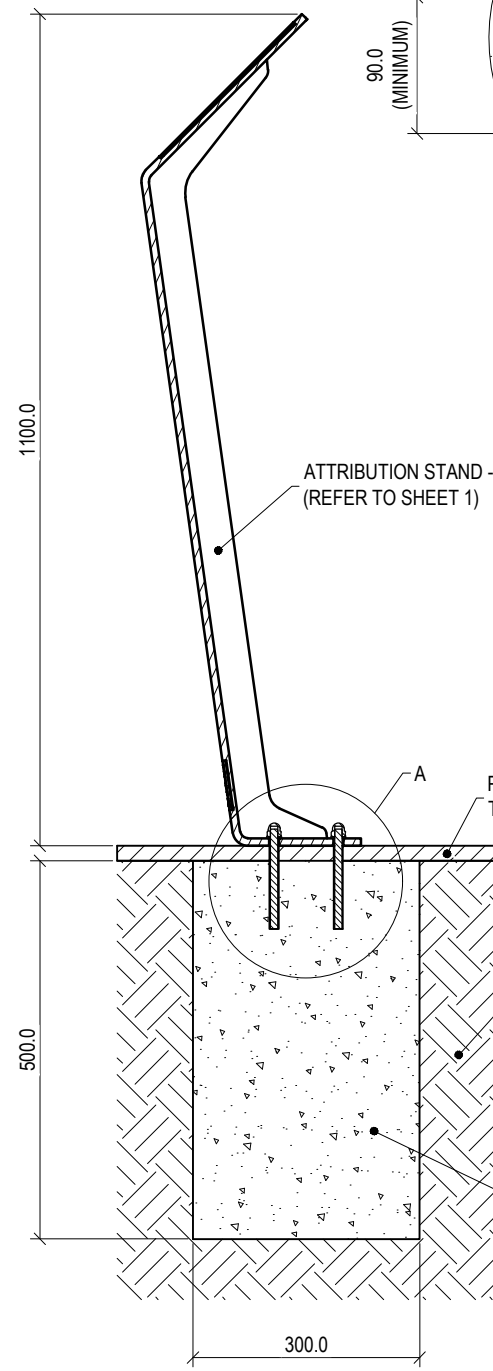
90.0  
(MINIMUM)

8.0 MIN  
12.0 MAX  
EXPOSED THREAD  
ABOVE WASHER

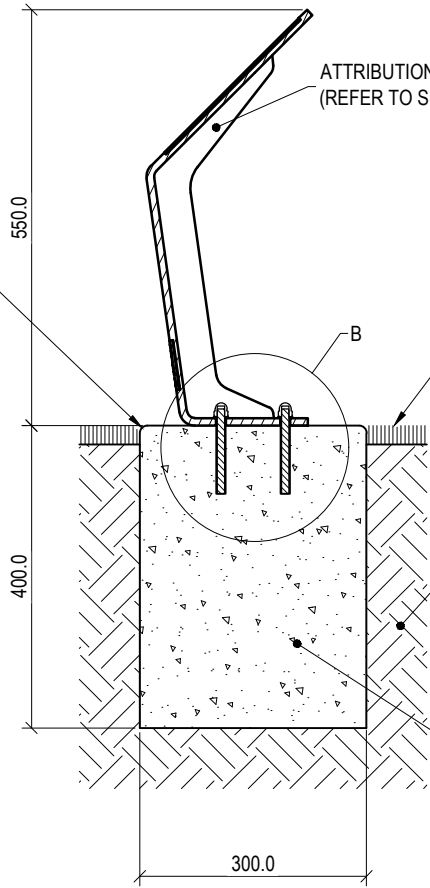
90.0  
(MINIMUM)

**DETAIL A**  
SCALE 1:5

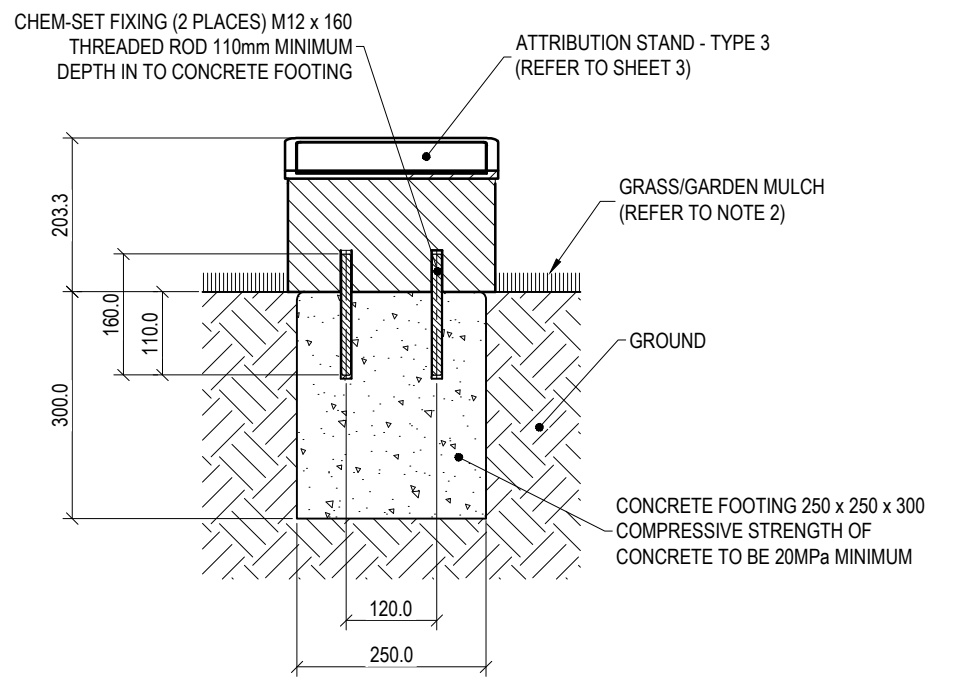
**DETAIL B**  
SCALE 1:5




**ATTRIBUTION STAND TYPE 1**



**ATTRIBUTION STAND TYPE 2**



**ATTRIBUTION STAND TYPE 3**

	<b>BRISBANE CITY COUNCIL STANDARD DRAWING</b>		PUBLISH DATE	
	<b>ATTRIBUTION STAND INSTALLATION SHEET 4 OF 6</b>		SCALE	
			1:10	
	<b>ATTRIBUTION STAND INSTALLATION SHEET 4 OF 6</b>		DRAWING NUMBER	
			<b>BSD-7341</b>	
<b>ATTRIBUTION STAND INSTALLATION SHEET 4 OF 6</b>		ORIGINAL SIZE	REVISION	
		<b>A3</b>	<b>A</b>	